

# Screen Filter-PRY

## Y-Type

### Features and Benefits

- Surface Sealing Design: O-Ring On Periphery of Filter Body Ensures Proper Sealing and Prevents Leakage, Even at Higher Pressures
- Regulates Incoming Water Pressure to Protect Your Irrigation System Components from Damage
- Stainless steel mesh for rustproof and sturdiness
- Easy to Open and Close the Cover with Smooth Ribs for Better Grip
- Rust-Free, UV Resistant and Durable Plastic Material Works in Adverse Conditions, Ensures Reliable and Trouble-Free Operation For Years
- 3/4" Cap Provided for Easy Draining

### Applications

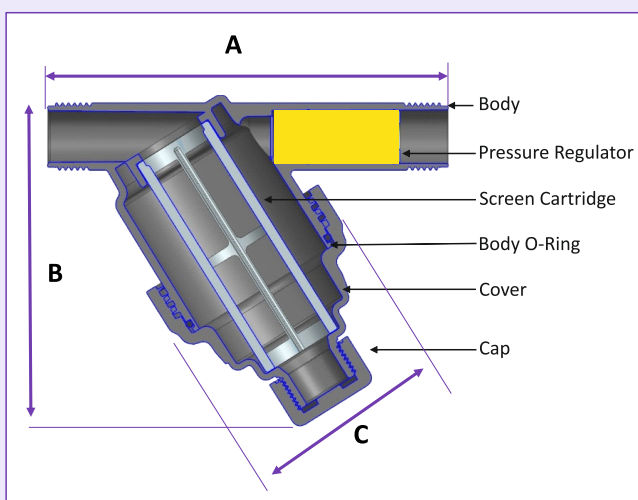
- All-Purpose Screen Filter With Built-In Pressure Regulator for Use In Drip Irrigation Or Micro Sprinkler Systems
- Useful for Low Volume Application
- This Product Is Suitable for Residential and Commercial Landscape Irrigation



Specifications	AQ-521PRY
Inlet/outlet connection	3/4" BSP/NPT male thread
Max. Working Pressure (PPGF Filter)	8 kg/cm <sup>2</sup> (115 PSI)
Pre Set Regulation Pressure	2 kg/cm <sup>2</sup> (30 PSI)
Range of Flow Rate	0.25 -1.5 m <sup>3</sup> /hr (1.1 - 6.6 GPM)
Nominal Flow Rate	1.5 m <sup>3</sup> /hr (6.6 GPM)
Filtration Surface area	80 cm <sup>2</sup> / 12.4 in <sup>2</sup>
Material of Construction	Glass Filled Polypropylene
Screen Material	Stainless Steel SS-316 Grade
Cartridge Diameter	32 mm (1.26")
Cartridge Length	96 mm (3.78")
Available Mesh	80, 120, 150 mesh (Black, Blue & Red Color)
Flush Port	3/4" Male Threaded
Flush Valve	3/4" - End plug / Flush Valve Mx F

### Performance Table

S.No.	Category	AQ-521PRY
1	Distance between End connecdions (A)	155 mm (6.1")
2	Filter Height (B)	128 mm (5.0")
3	Filter Width ( C )	78 mm (3.1")



Pressure Regulation Curve

